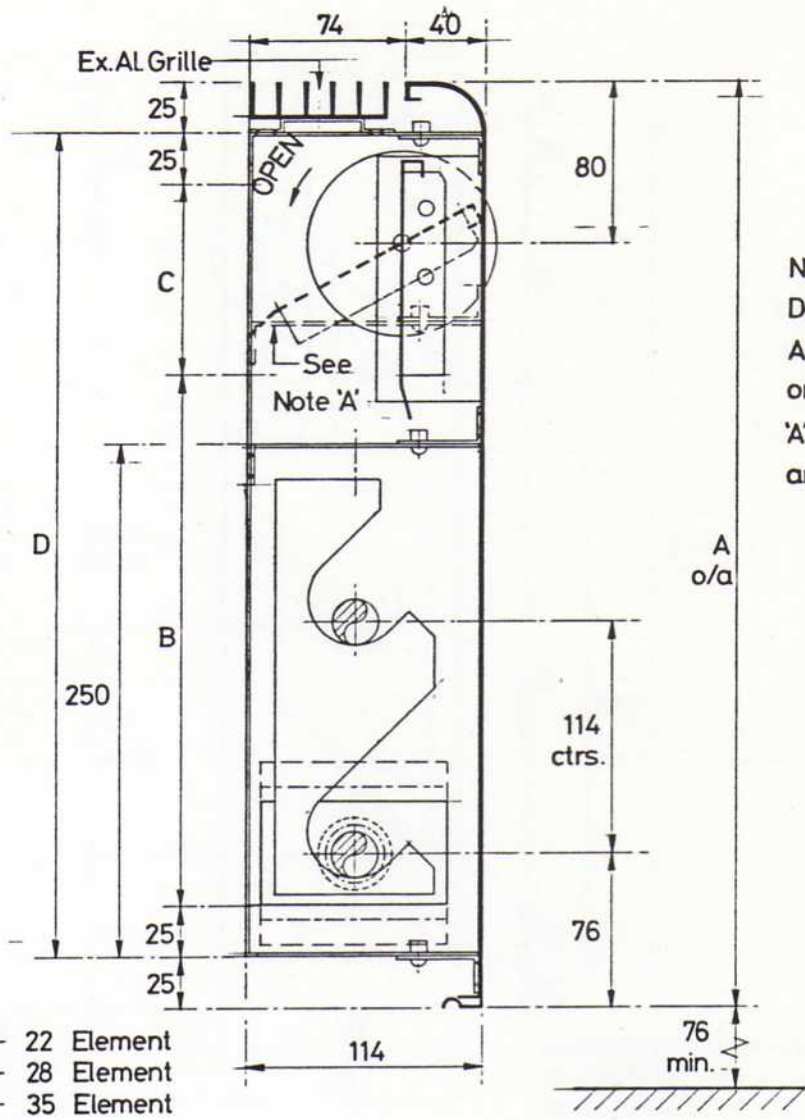


# PERIMETER LG with rounded top



## NOTES :-

Dampers are not available on 305 high.  
 Any height of casing can be supplied on request to suit individual requirements.  
 'A'-Additional centre support on 610 high and above.

SCHEDULE					
Ht	Ref	A	B	C	D
305	305	205	97	255	
457	457	260	97	407	
610	610	260	250	560	

