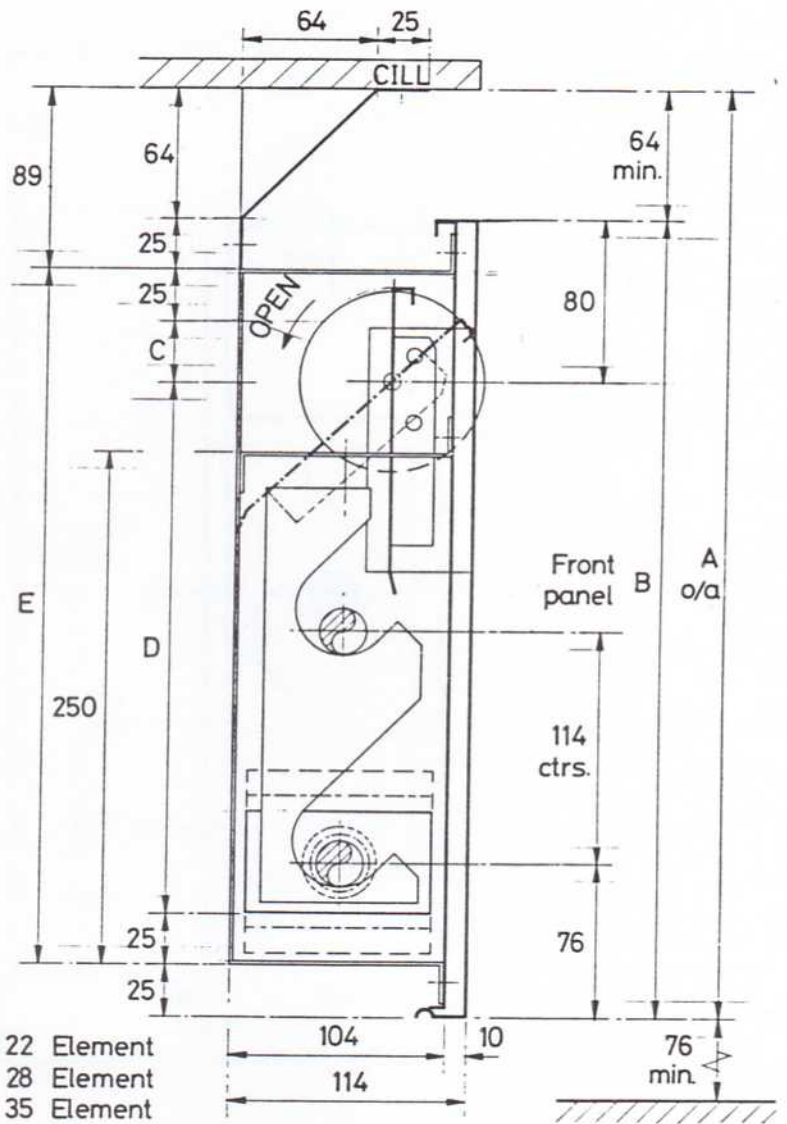


# PERIMETER 3

**NOTES :-**

Dampers are not available on 305 high.  
Any height of casing can be supplied on request to suit individual requirements.



SCHEDULE					
Ht. Ref	A	B	C	D	E
305	305	241		141	191
457	457	393		293	343
610	610	546	186	260	496

